



**DESCRIPTION:**  
**4824 LITTLE-BLASTER™**  
**SERIES SUCTION**  
**BLAST CABINET 48" x 24"**  
**ALUMINUM PISTOL GRIP MEDIA BLAST**  
**GUN WITH 100 CFM DUST COLLECTOR**

# LB4824

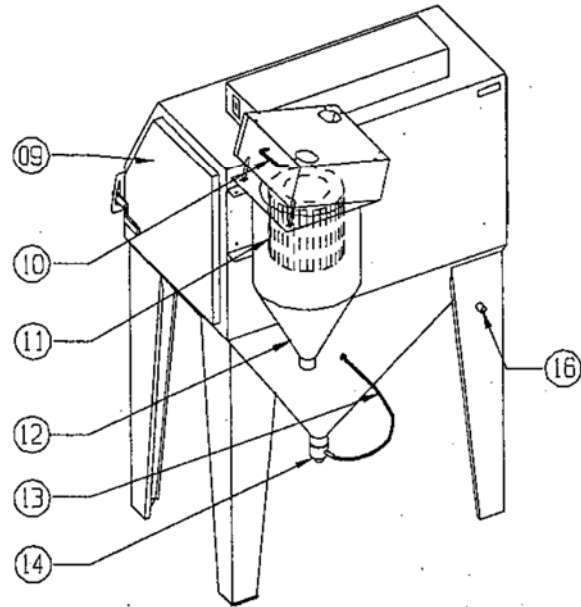
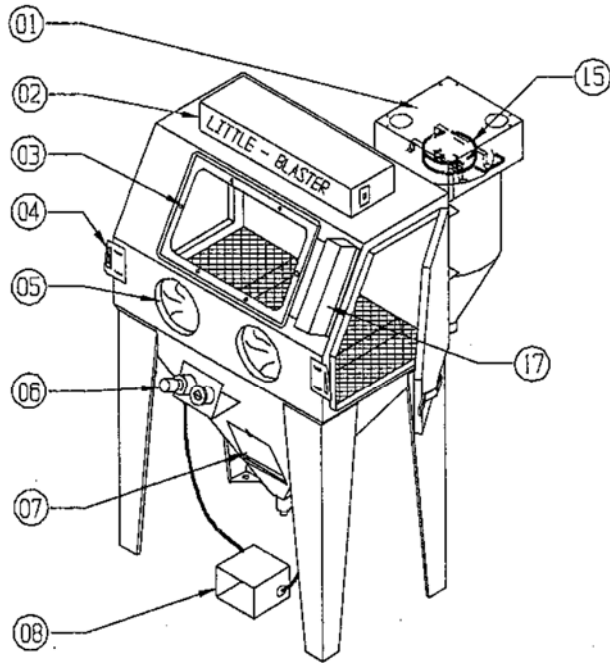
The LITTLE-BLASTER equipment was designed for the hobbyist or very light production use. The LITTLE-BLASTER is constructed from heavy gauge metal, which is continuously welded. Also incorporated into the line are several products from the BLAST-IT-ALL® production blasting equipment, proven reliability such as the blast gun. The LITTLE-BLASTER is also designed for a small company to start blasting with only a dust collector; then, without a lot of expense enables that user to convert to a reclamation system with the LITTLE-BLASTER Reclaimer Kit.

While, the LITTLE-BLASTER is limited to specifically smaller sizes than production type equipment, but it is considered the highest caliber blaster manufactured today.



**Glass Bead Cabinets**  
**413-566-1255**  
**[www.glassbeadcabinets.com](http://www.glassbeadcabinets.com)**





**1. Dust Collector:** 100 CFM cartridge type collector for better dust control providing cleaner working chamber.

**2. Light Box:** Two (2) tube 24" fluorescent light, for best possible lighting in blast chamber, On-Off control switch for light and cartridge dust collector.

**3. Viewing Window:** Large 12"X20" tempered glass provides long life and minimizes static build up of dust.  
Mylar Dispenser

**4. Door Latch:** Heavy-duty cam type, adjustable for positive door seal.

**5. Glove Arm Hole:** Heavy duty cloth lined vinyl snap-in gloves are quick changing

**6. Air Flow Regulator and Gauge:** Allows adjustable air pressure to gun for proper media flow to provide finish desired.

**7. Clean out door:** Easy access to filter screen, trapping heavy particles from abrasives. Allows recovery of small parts that may fall from blast chamber.

**8. Safety Foot Control:** Prevents accidental blast operation.

**9. Doors:** Large double walled doors (both sides) for opening size. Knife sealing edge assures positive seal in blast chamber.

**10. Shaker Handle:** Handle for shaking dust from Cartridge

**11. Cartridge:** 8 1/2" x 9 1/2" cartridge with 175 2" pleats

**12. Dust Sump:** Allows dust to flow directly into waste container.

**13. Media Hose:** 1/2" media hose, from media valve to bottom fitting on blast gun.

**14. Media Valve:** Universal Feed allowing all types of abrasives to be used. 2" plug outlet for easy clean-out.

**15. Motor:** 120 volt, 15 amp switch control.

**16. Compressed Air Inlet:** 1/2" coupler for easy installation of optional moisture trap.

**17. Mylar Dispenser:** Mylar roll 12 1/2 x 10 ft

**Media Blast Gun:** Lightweight aluminum pistol grip for long life. Interchangeable air jets and nozzles for various air supplies and media flow.  
1/8" air jet supplied as standard. 5/32" - 3/16" air jets with sized nozzles supplied upon request.

**Machine Construction:** Heavy 14 gauge welded steel construction. Two coats of industrial quality paint.

**Packing:** Machine secured on wood pallet, dust collector packed under cabinet on same skid.

- Machine Options**
- Blow-Off nozzle Kit
  - Air-Line Moisture Trap
  - 20" Set-In Turntable
  - 2 Gallon Tumble Basket
  - 300 CFM Reclaim Kit

**Suction Gun Air Requirements**

Gun#	40 PSI	60 PSI	80 PSI
1/4" Nozzle - 1/8" Air Jet	#4 12 CFM	17 CFM	21 CFM
5/16" Nozzle - 5/32" Air Jet	#5 19 CFM	27 CFM	34 CFM
3/8" Nozzle - 3/16" Air Jet	#6 27 CFM	37 CFM	47 CFM