



## **ECO 3624**

The ECO line of equipment was designed for the hobbyist or very light production use. The ECO is constructed from heavy gauge metal, which is continuously welded. Also incorporated into the line are several products from the BLAST-IT-ALL<sup>®</sup> production blasting equipment, proven reliability such as the blast gun. The ECO is also designed for a small company to start blasting with only a dust collector; then, without a lot of expense enables that user to convert to a reclamation system with the ECO Reclaimer Kit.

While, the ECO is limited to specifically smaller sizes than production type equipment, but it is considered the highest caliber blaster manufactured today.



**Glass Bead Cabinets**  
**413-566-1255**  
**[www.glassbeadcabinets.com](http://www.glassbeadcabinets.com)**



# ECO 3624

## SHOWN WITH

Optional Dust Collector:  
Single cartridge with 100 CFM fan

## Light:

Top mounted 120 volt flood

## Viewing Window:

Large 12"x20" tempered glass provides long life  
and minimizes static build up of dust.

Mylar Dispenser

## Doors:

Two, one front lift hatch, and one  
Side service

**Glove Arm Hole:** Heavy duty cloth lined vinyl snap-in  
gloves are quick changing

## Clean out:

Bottom 2" sump plug

## Media gun:

Standard, hand trigger  
Either 12 or 21 CFM

## Media feed:

Inside media pick up tube

## Media Hose:

½" Media feet tube to gun

**Machine Construction:** Heavy 14 gauge  
welded steel construction. Two coats of  
industrial quality paint.

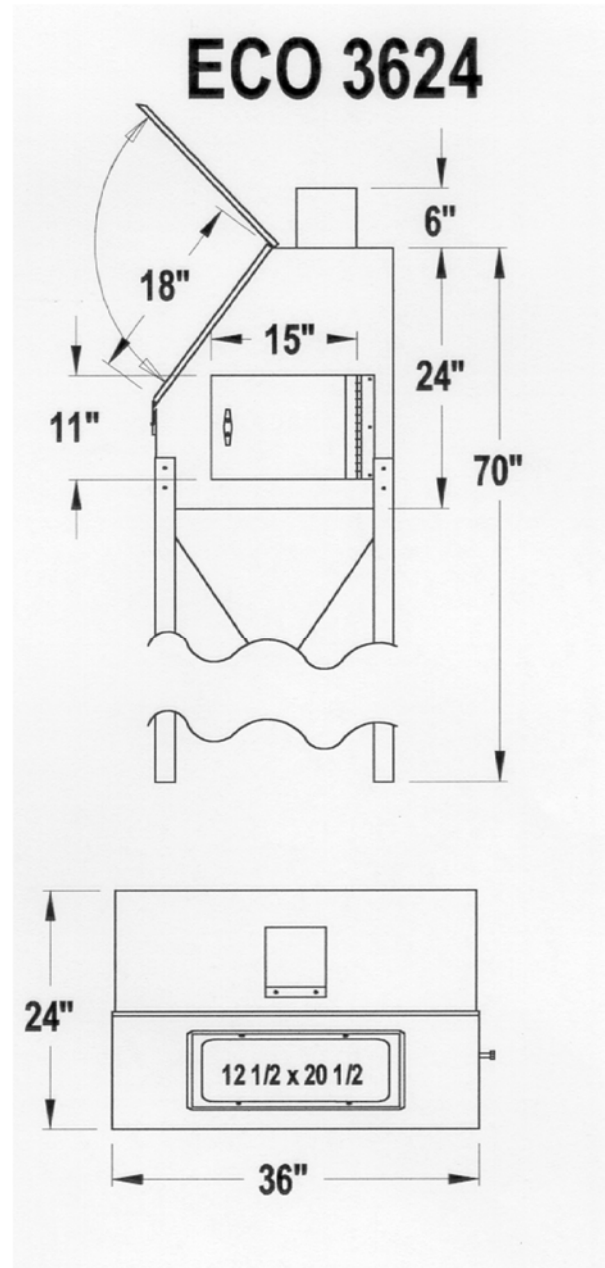
**Packing:** Machine secured on wood  
pallet, dust collector (optional) packed under  
cabinet on same skid.

## Compressed air inlet:

Left side / ½"

## Motor:

With optional DC  
100 CFM vacuum motor  
120 Volts



Machine Options:  
Mylar dispenser  
ECO Cartridge Dust collector  
300 CFM reclaim